

SMARTPHONE III

Simplified Programming Instructions

Basic Programming 1 - 3. Advanced Programming 4 - 7.

Phone has been preset to Standard *SMARTPHONE III* Operation.
The following steps can be done in any order.

1. Programming Telephone

- Press START
- Press SET (key in telephone number)
- Press M1
- Press SET (key in telephone number)
- Press M2
- Press and hold STOP for 2.5 seconds

2. Programming Call Tracker

- Press START
- Press START
- Speak message – 18 seconds
- Press STOP
- Press PAUSE to review message
- Press and hold STOP for 2.5 seconds

3. Programming Timer

- Press START
- Press SET, SET
- Enter the number of minutes you wish to talk
- Press SET
- Press and hold STOP for 2.5 seconds

4. Change Telephone Security Code

- Press START
- Press SET, SET, SET
- Press 2
- Press 4 digit ID Code (your decision) Note this on label.
Cannot be 0000.
- Press STOP
- Press and hold STOP for 2.5 seconds

5. Ring – Down Telephone Line Programming

- Press START
- Press SET, PAUSE, M1
- Press SET, M2
- Press SET, SET, SET
- Press M2
- Press M1
- Press 5
- Press 0
- Press STOP
- Press and hold STOP for 2.5 seconds

For phones with the RED board or serial numbers ending in -2501

- Press 3
- Press 0

Skip to step i

6. Programming Consolidator Telephone ID Numbers

- Press START
- Press SET, SET, SET
- Press 1
- Key in the number for the elevator (i.e. 1-5)
- Press STOP
- Press and hold STOP for 2.5 seconds

7. Consolidator Operation

Dial the *SMARTPHONE III*, all phones will automatically answer active.

1. Select Individual Phone

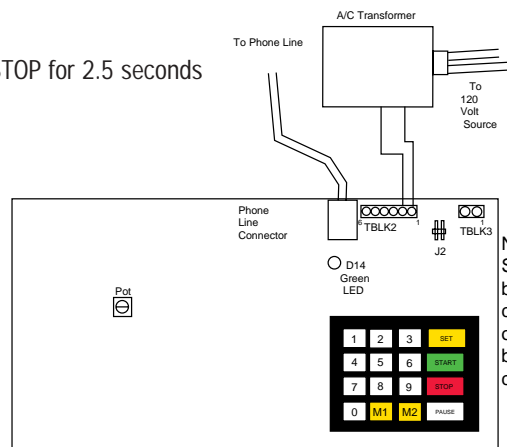
- Press * 1 (Phone #1)
- Press * 2 (Phone #2)
- Press * 3 (Phone #3)
- Press * 4 (Phone #4)
- Press * 5 (Phone #5)

2. Select All Phones Press * 0

(2-way conversation with all units)

3. Select All Phones (page mode) Press * 9

(Listen mode only, in elevator)



Note:
SMARTPHONE III can be programmed without connection to 110 V AC or the telephone line when back-up battery is fully charged.

continued ►



We're There for You!
TOLL FREE TECHNICAL SUPPORT 1-800-451-1460 EXT. 3

Step 1 Remote Programming Sequence

1. SMARTPHONE III Standard Remote Programming

- a. Call number of phone or phones.
- b. After you get the simulated ring, press the # key. Will hear long deedoodeedoo tone
- c. Key in the security code (4 digits). Will hear deedoodeedoo tone. Wrong security code will terminate the call.
- d. Press 9*0. Will hear tone. All phones will be ready to program. See Table A for programming menu.
- e. Press 9*# to end programming

2. SMARTPHONE III Consolidator Mode Remote Programming

- a. Call number of phone or phones.
- b. After you get the simulated ring, press the # key. Will hear long deedoodeedoo tone.
- c. Key in the security code (4 digits). Will hear deedoodeedoo tone. Wrong security code will terminate the call.
- d. Changing a single phone or all in group:

A) Single Phone

1. After security code, press 9*1. Will hear deedoodee tone. This will make phone with ID 1 ready to program.
2. See Table A for programming menu.
3. Press 9*2. Will hear deedoodee tone. You are now ready to program phone with ID 2. See Table A.
4. Continue this until you have programmed all in the group.
5. Press 9*# to end the programming.

B) Changing All Phones In A Group

1. After security code, press 9*0. This will make all phones ready to program.
2. See Table A for programming menu.
3. Press 9*# to end the programming.

TABLE A

1 #	(ENTER PHONE NUMBER M1, ★ for pauses)	# Deedoodee
1 ★	Phone number M1 is played back in beeps	Deedoodee
2 #	(Enter phone number M2, for pauses)	# Deedoodee
2 ★	Phone number M2 is played back in beeps	Deedoodee
3 #	(Enter timeout minutes, last three digits) <i>Factory set at 15 minutes</i>	# Deedoodee
3 ★	Timeout minutes played back in beeps	Deedoodee
4 #	Record Message # to stop	Deedoodee
4 ★	Message is played back	Deedoodee
9 ★ #	Will terminate call	

We're There for You!

TOLL FREE TECHNICAL SUPPORT 1-800-451-1460 EXT. 3



N56 W24720 N. Corporate Circle, P.O. Box 306 Sussex, Wisconsin 53089

800-451-1460 FAX 262-246-4828

Web site: www.rathmicrotech.com

Sales: info@rathmicrotech.com

Tech Support: help@rathmicrotech.com